

[54] **VIDEOGAME CARTRIDGE CASE**

[75] **Inventor: Ira L. Velinsky, Plainfield, N.J.**

[73] **Assignee: Commodore Business Machines, Inc., West Chester, Pa.**

[**] **Term: 14 Years**

[21] **Appl. No.: 481,872**

[22] **Filed: Apr. 4, 1983**

[52] **U.S. Cl. D14/11; D14/114; D21/13**

[58] **Field of Search D14/11, 114; 273/DIG. 28; D21/13; 360/132; 206/387; 273/148 B**

[56] **References Cited**

U.S. PATENT DOCUMENTS

D. 248,470 7/1978 Talesfore D14/11

D. 269,087 5/1983 Nishi D14/11
D. 273,861 5/1984 Ban D14/11
4,352,492 10/1982 Smith 273/DIG. 28
4,459,680 7/1984 Sukeda et al. D14/114

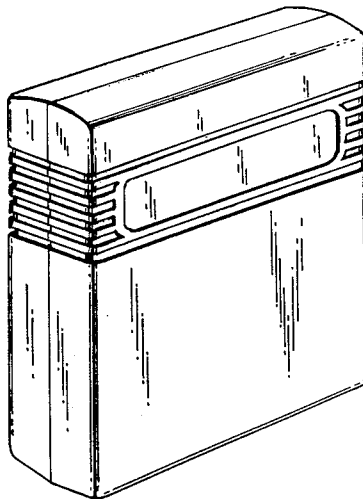
Primary Examiner—Jane E. Corrigan

[57] **CLAIM**

The ornamental design for a videogame cartridge case, as shown.

DESCRIPTION

FIG. 1 is a front, top and left side perspective view of a videogame cartridge case showing my new design; FIG. 2 is a front elevational view; FIG. 3 is a left side elevational view; FIG. 4 is a rear elevational view; FIG. 5 is a right side elevational view; FIG. 6 is a top plan view; and FIG. 7 is a bottom plan view.



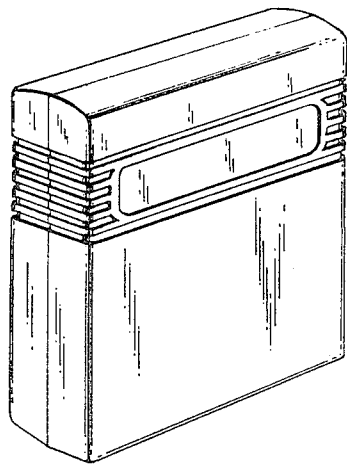


FIG. 1.

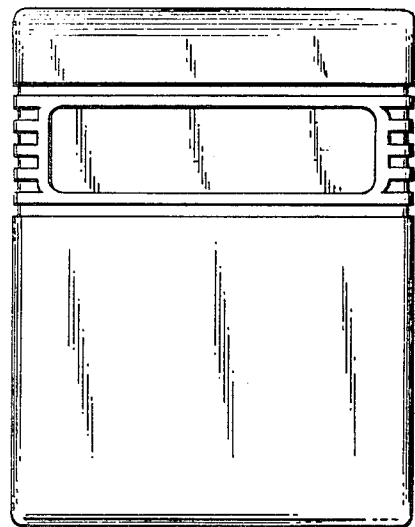


FIG. 2.

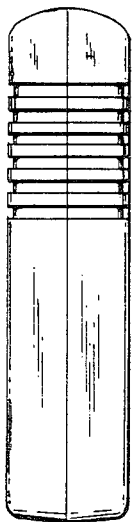


FIG. 3.

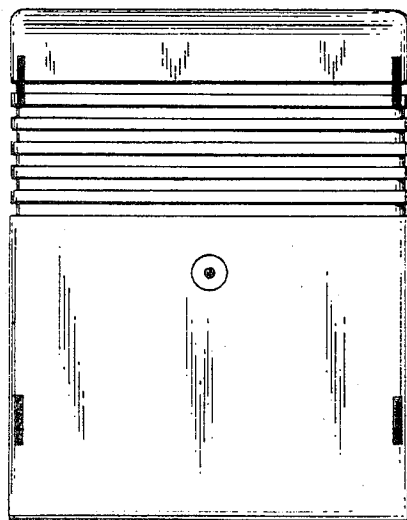


FIG. 4.

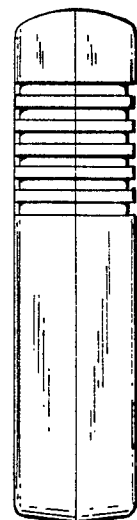


FIG. 5.



FIG. 6.

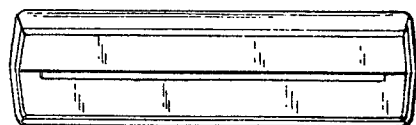


FIG. 7.