

220,849

ELECTRIC PORTABLE TYPEWRITER

**Thomas McGourty, Aptos, Calif., assignor to Commodore
Business Machines (Canada) Limited, Toronto, Ontario,
Canada**

Filed Dec. 10, 1969, Ser. No. 20,440

Claims priority, application Japan Sept. 30, 1969

Term of patent 14 years

Int. Cl. D18—01

U.S. Cl. D64—11

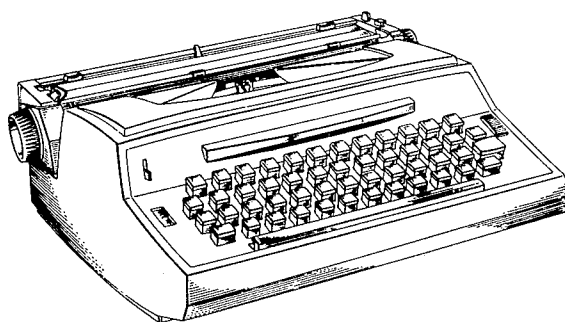


Fig. 1.

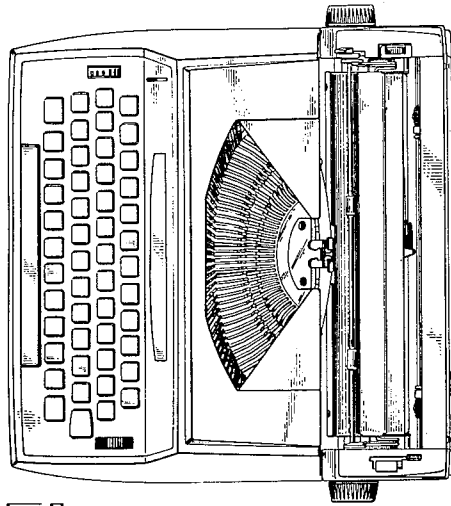


Fig. 2.

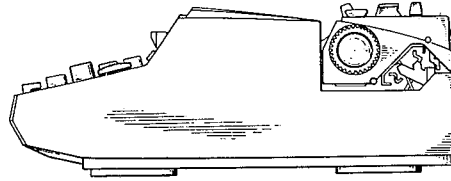


Fig. 3.

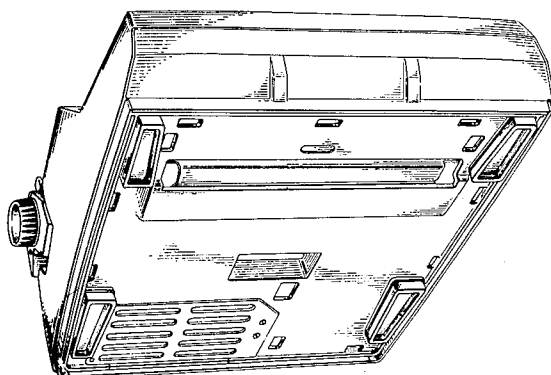


Fig. 4.

Fig. 5.

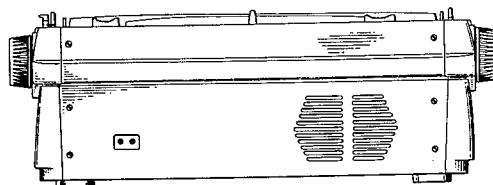


FIG. 1 is a front perspective view, showing the top and left side, of an electric portable typewriter showing my new design;

FIG. 2 is a top view thereof;

FIG. 3 is a right side view thereof;

FIG. 4 is a perspective view thereof, showing the bottom and left side; and

FIG. 5 is a rear view thereof.

I claim:

The ornamental design for an electric portable typewriter, as shown.

References Cited

UNITED STATES PATENTS

D. 189,999	3/1961	Jaworski	-----	D64—11.1
D. 193,917	10/1962	Sundberg	-----	D64—11.1

OTHER REFERENCES

Office appliances, June 1965, p. 27, bottom left item.

Premium Practice, January 1966, p. 103, Letter A 32.

EDWIN H. HUNTER, Primary Examiner

L. J. PERLSTEIN, Assistant Examiner